

*****READ & SAVE THESE INSTRUCTIONS *****
MODELS 23025/23026
INSTALLATION & OPERATION INSTRUCTIONS

(1) TOOLS AND MATERIALS REQUIRED

- ❖ BLADE SCREW DRIVER
- ❖ ADJUSTABLE WRENCH
- ❖ STEP LADDER
- ❖ WIRE CUTTERS
- ❖ WIRING SUPPLIES AS REQUIRED BY ELECTRICAL CODE

Attention:

Before assembling your lighting fixture, please read the following instructions. If you feel you do not have sufficient electrical experience, refer to a do-it-yourself wiring handbook or have your fixture installed by a qualified licensed electrician.

(2) GENERAL

1. To ensure the success of the installation, be sure to read these instructions and review the diagrams thoroughly before beginning.
2. All electrical connections must be in accordance with local codes, ordinances, or the National Electrical Code. If you are unfamiliar with methods of installing electrical wiring, secure the services of a qualified licensed electrician.

These fixtures are intended for mounting to a standard 4" x 2 ¼" deep metal octagon outlet box. The box must be directly supported by the building structure and U.L. Recognized.

3. Before commencing with the installation, **disconnect the power by turning off the circuit breaker** or by removing the fuse at the fuse box. Turning the power off using the light switch is not sufficient to prevent electrical shock.

NOTE:

The important safeguards and instructions appearing in this manual are not meant to cover all possible conditions and situations that may occur. It must be understood that common sense, caution and care, are factors that cannot be built into any product. These factors must be supplied by the person(s) caring for and operating the fixture.

(3) UNPACKING THE FIXTURE

On checking the contents of the box you will find;

- ❖ Fixture assembly
- ❖ Glass Diffuser w/Metal Cover
- ❖ 1 or 2 x 50W/120V/MR16/GU10 Base Bulb
- ❖ Mounting hardware package
- ❖ 1 x Waterproof Gasket

(4) PREPARE THE FIXTURE

Refer to figure 1 for illustration of fixture parts and assembly.

1. If you are replacing an existing fixture, disconnect and remove the old fixture. Expose the supply wiring from the outlet box.
2. Lay the un-assembled fixture on a soft surface and carefully remove all the packaging material.
3. Mount the supplied **Universal Crossbar** to the **Junction Box** with the **Mounting Screws (2)**.
4. Pull the **Supply Wires** through the center hole of the **Universal Mounting Plate**.

Connect the Supply Wires from the junction box to the Fixture Wires in the following manner: The **Black Supply Wire** attaches to the **Black Fixture Wire** and the **White Supply Wire** attaches to the **White Fixture Wire**. Attach the **Ground** (bare/green or yellow) wire from the Fixture to the **Outlet Box Ground Terminal** or (the box ground wire). Secure the connections with the supplied **Wire Nuts (3)** and tape with electrical tape. Tuck all of the wires carefully into the **J-box**.

5. If the **Waterproof Gasket (1)** is not already inserted, ensure that it is placed in the area allocated on the inside of the **Fixture Back Plate**.
6. Place the **Fixture Back Plate** flush up against the **Universal Crossbar**, by ensuring the protruding **Screws** on the **Universal Crossbar** are inserted into the designated holes in the **Fixture Back Plate**.
7. **Secure the Fixture Back Plate to the Universal Crossbar with the supplied Nuts (4) and Thumb Screws (5)**
8. Insert the **50W/120V MR 16/GU-10 base bulb(s) (6)** provided. Screw on the **Glass Diffuser(s) with Metal Ring(s)**; tighten to ensure that they are secure.

DO NOT USE BULBS EXCEEDING MAXIMUM WATTAGE AS PER LABEL

NOTE: Outdoor wall fixtures must be caulked with suitable PTV or silicone compound around the top and sides of the cover plate to reduce the chance of water entering into the splicing area.

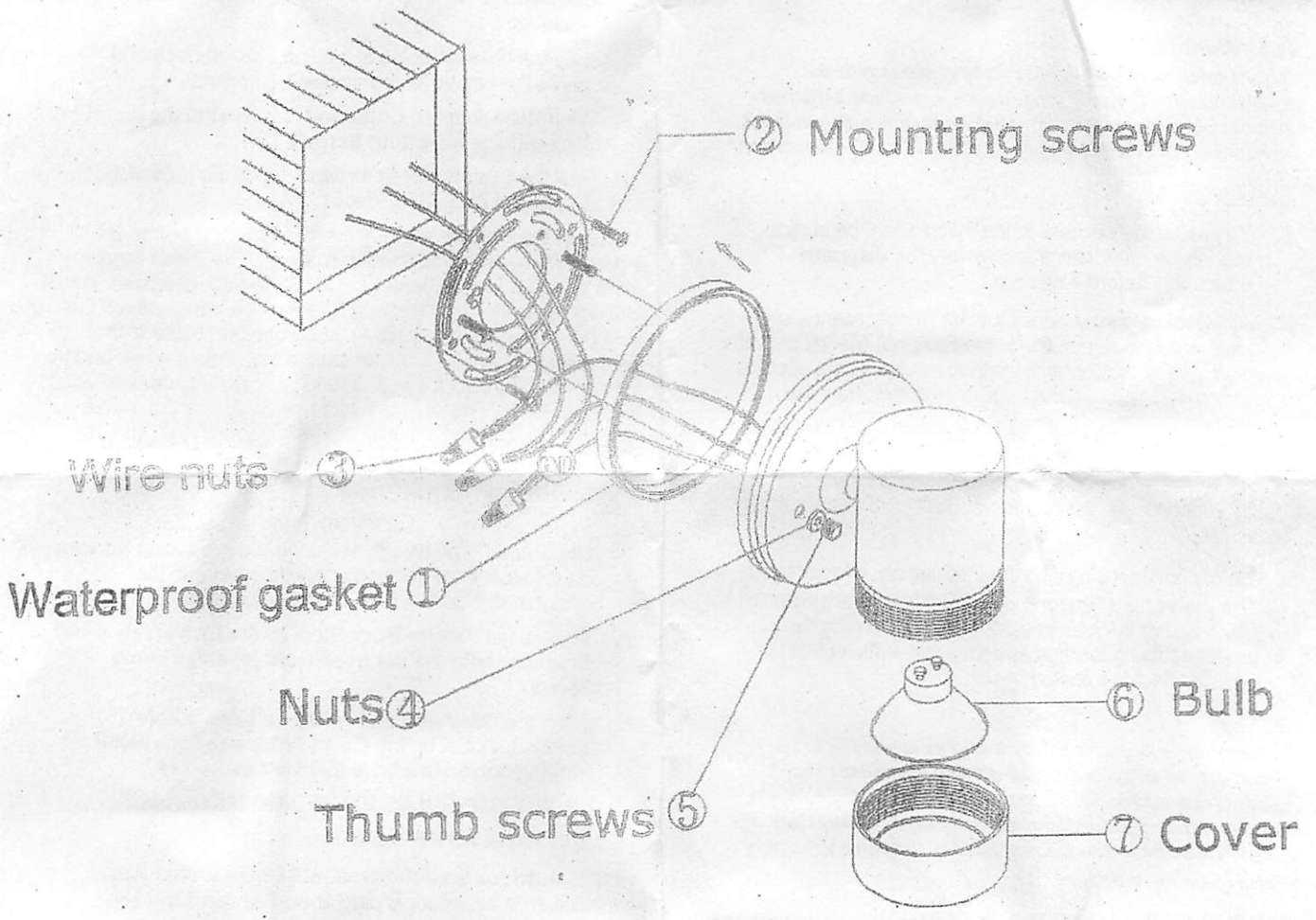
9. Restore electricity and check the operation of your new lighting fixture.

CAUTION:

- **Ensure that the Fitting is Cool and Switched off, Before Changing the Halogen Bulb.**
- **Do Not use Bulbs Exceeding Maximum Wattage, As Per Caution Label.**
- **Do Not use lamp without the supplied Tempered Protection Glass.**
- **Do Not Touch the Halogen Bulb or Protective Glass while fixture is in operation.**
- **Do Not Operate the Lighting Fixture close to any Combustible Material.**



MODEL 23025



access

LIGHTING