

Stock Code: **62558LEDDL**P-MSS/STARR

Collection: Galaxy

PRODUCT INFORMATION

Base: 62558 Parent: 62558LEDDL
Mounting Type: Wall UPC: 641594224733
Finish: Mirrored Stainless Steel
Diffuser: Starry Night

PRODUCT MEASUREMENTS

FIXTURE	BACKPLATE / CANOPY
Length:	Length
Width: 5.25"	Width:
Diameter	Diameter:
Height: 4.75"	Height:
Extension: 6.25"	
Overall Height:	

TECHNICAL SPECIFICATIONS

SPECIFICATIONS

Frame Material: Stainless Steel
 Diffuser Material: Glass
 Lamping Type: G9 (Replaceable LED) Jbox: Standard
 Lamping Base: G9 Lamp Wattage: 4.5 W
 Lamp Quantity: 1 Total Wattage: 4.5 W
 Voltage: 120v Lamps Included: Yes

QUALIFICATIONS

Location Rating Damp
 Certification: UL (US/Canada) Listed
 ADA Compliant No Energy Star: No
 JA8 Compliant: No Emergency Lighting: No
 Marine Grade: No Warranty: 1 Year

PHOTOMETRICS

Dimmable: Yes Nominal Lumens 450 Lm
 CRI: 80 Delivered Lumens: N/A
 CCT: 3000K
 Recommended Dimmers:
 (ELV)LUTRON Diva DVELV-300P; (TRIAC)LUTRON Diva DV-600P; (ELV)LUTRON Diva DVELV-303P; (ELV)LUTRON Skylark SELV-300P

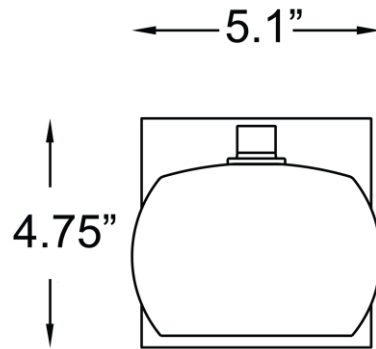
Additional Notes:

Project Name: _____
 Location: _____
 Type: _____
 Quantity: _____
 Notes: _____



LINE DRAWING

IES FILE



In addition to Access Lighting's purchase and warranty terms and conditions, by signing below or placing an order, you agree that you are authorized to bind the entity placing any order and acknowledge the following: All of sizes and measurements are approximate and all images are for illustrative purposes only. In the event of an inconsistency, the "Product Measurements" section controls. There also may be slight differences in the colors and designs compared to the displayed and printed images.

Signature: _____

Print Name _____ Date: _____

Toll Free 800-828-5483 www.AccessLighting.com

14410 Myford Road, Irvine, CA 92606

