

Model No :: **20464LEDEM-BS/ACR**
 Name :: **Solero**



Project Name :: _____
 Location :: _____
 Type :: _____
 Quantity :: _____
 Notes :: _____

Product Information

Product ID :: 20464EM
 UPC Code :: 641594223668
 Mounting Type :: Ceiling
 Finish :: Brushed Steel (BS)
 Diffuser :: Acrylic Lens (ACR)
 Alt. Finishes :: Chrome (CH)
 Alt. Diffusers :: N/A

Product Dimensions

Fixture		Canopy	
Length ::	N/A	Length ::	N/A
Width ::	N/A	Width ::	N/A
Diameter ::	12"	Diameter ::	12"
Extension ::	N/A	Height ::	1"
Height ::	4.25"		
Overall Height ::	N/A Max.		



Technical Specifications

Qualifications

Location Rating :: Damp
 Certification :: cETLus
 IES File :: Yes
 JA8 Compliant :: No
 Title 20 Compliant :: N/A
 Energy Star :: No
 ADA Compliant :: No
 Marine Grade :: No
 Emergency Lighting :: Yes
 Warranty :: 5 Year Limited

Specifications

Frame Material :: Steel
 Diffuser Material :: Acrylic
 Voltage :: 120-277v
 Lamping Type :: Dedicated LED
 Lamping Base :: SSL
 Lamp Quantity :: 1
 Lamp Wattage :: 15 W
 Total Wattage :: 15 W
 Lamps Included :: Yes
 J-Box Type :: Standard

Photometrics

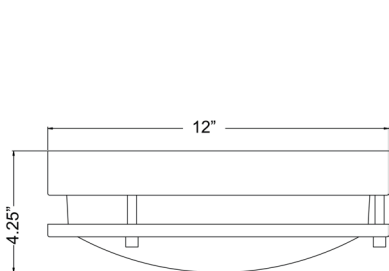
CCT :: 3000
 CRI :: 90
 Wattage :: 15 W
 Nominal Lumens :: 1300
 Delivered Lumens :: 1011

Recommended Dimmers

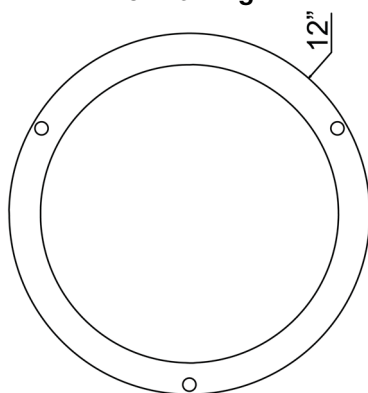
Not Dimmable

Custom Options :: N/A; **Additional Items** :: N/A

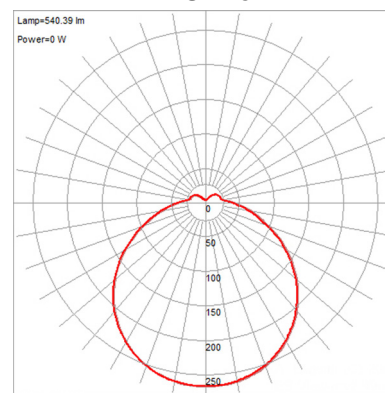
Line Drawing #1



Line Drawing #2



IES File



Toll Free 800-828-5483 or www.AccessLighting.com

14410 Myford Road, Irvine, CA 92606

The information provided is subject to change without notice. ©2018 Access Lighting Corporation. All Rights Reserved
 Rev. 201902 Filename:: 20464LEDEM-BS_ACR.pdf

