

Model No :: **20030LEDDMGLP-BRZ/RFR**
 Name :: **Bermuda**



Project Name :: _____
 Location :: _____
 Type :: _____
 Quantity :: _____
 Notes :: _____

Product Information

Product ID :: 20030
 UPC Code :: 641594206708
 Mounting Type :: Wall
 Finish :: Bronze (BRZ)
 Diffuser :: Ribbed Frosted (RFR)
 Alt. Finishes :: Satin (SAT)
 Alt. Diffusers :: N/A

Product Dimensions

Fixture	Canopy
Length :: N/A	Length :: 7"
Width :: 6"	Width :: 4.5"
Diameter :: N/A	Diameter :: N/A
Extension :: 5.3"	Height :: 0.5"
Height :: 16.75"	Overall Height :: N/A Max.



Technical Specifications

Qualifications

Location Rating :: Wet
 Certification :: cULus
 IES File :: No
 JA8 Compliant :: No
 Title 20 Compliant :: Yes
 Energy Star :: No
 ADA Compliant :: No
 Marine Grade :: Yes
 Emergency Lighting :: No
 Warranty :: 1 Year Limited

Specifications

Frame Material :: Aluminum
 Diffuser Material :: Glass
 Voltage :: 120v
 Lamping Type :: Replacable LED
 Lamping Base :: E-26
 Lamp Quantity :: 2
 Lamp Wattage :: 9.5 W
 Total Wattage :: 19 W
 Lamps Included :: Yes
 J-Box Type :: Standard

Photometrics

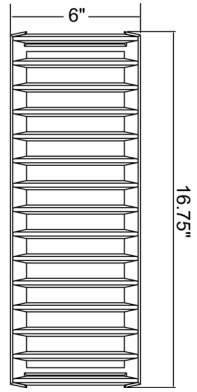
CCT :: 3000
 CRI :: 80
 Wattage :: 19 W
 Nominal Lumens :: 1600
 Delivered Lumens :: N/A

Recommended Dimmers

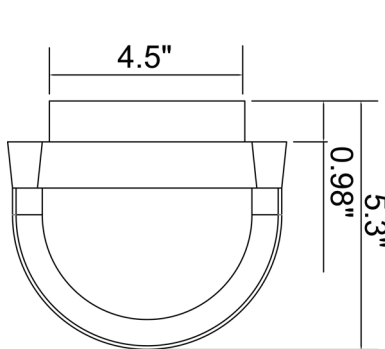
(ELV) LUTRON Skylark SELV-300P; (MLV) COOPER Aspire 9530SW; (TRIAC) LEGRAND Titan CD703-PW

Custom Options :: N/A; Additional Items :: N/A

Line Drawing #1



Line Drawing #2



IES File

Image Not Available

Toll Free 800-828-5483 or www.AccessLighting.com

14410 Myford Road, Irvine, CA 92606

The information provided is subject to change without notice. ©2018 Access Lighting Corporation. All Rights Reserved
 Rev. 201902 Filename:: 20030LEDDMGLP-BRZ_RFR.pdf

